

WIRE ANTENNAS UK

GOING THE EXTRA MILE

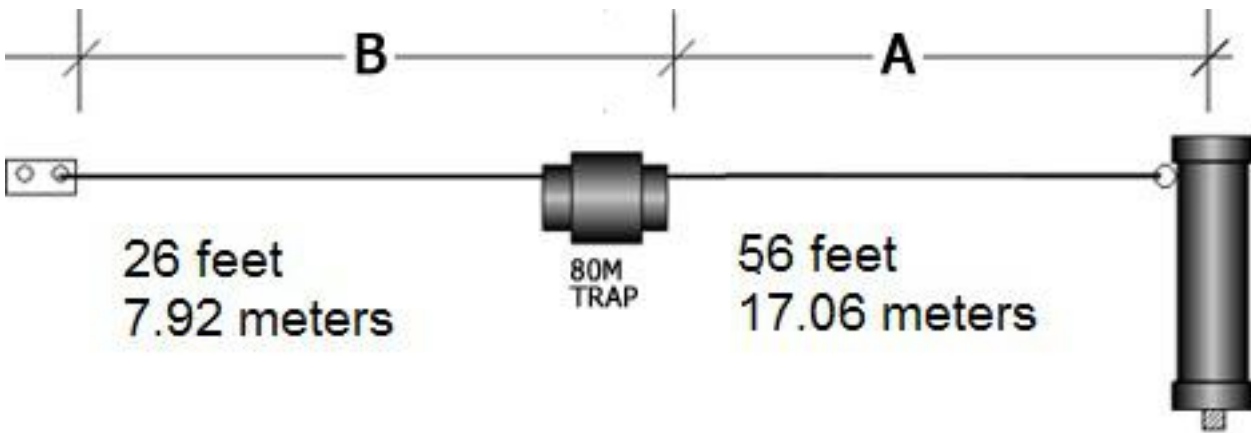
WWW.WIREANTENNAS.CO.UK

80/160 instructions follow

dimensions as follows

Balun feed point to 80 m trap 17.06 meters / 56 feet

80 m trap to end 7.92 meters / 24 feet. Note some people have reported as long as 26 feet here leave the wire long and Check swr on highest band first. the bandwidth will be fairly flat on 80 m. When you are happy with that move on to 160 m and so on. To provide some adjustment on 160 m leave the wire about a foot long and fold it back on itself. secure with cable ties. I have tested the traps for dip at the appropriate points. Note dipole tested at height of 8 - 10 m height and in inverted V configuration. Ends 8 ft of the ground. At your QTH lengths may vary. Use insulated wire and any problems don't hesitate to ask. Note one foot is not much of a change on 160m. I use flexweave, which is expensive. So I leave it plenty long and then trim. I use an antenna analyser which is very time saving, but it is possible to do without. Band centers are 3.700 and 1.850 for the dimensions given but as I say it depends on height QTH etc so trimming is inevitable.



info@wireantennas.co.uk



0044 (0) 7753225261



11, SP51SH United Kingdom